

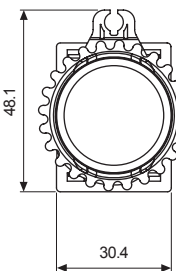
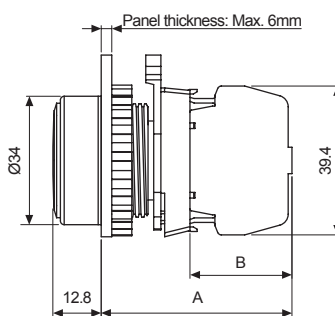


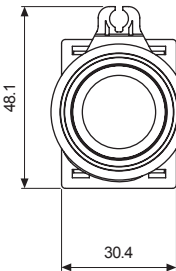
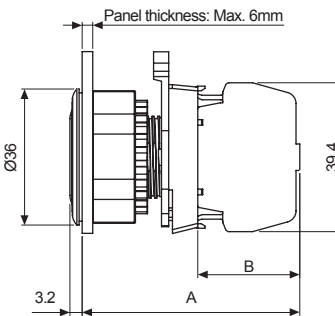


## Ø30 Round Push Button Switches (S3PR Series)

| Type  | Appearance   | Model          | Contact block |           | LED block     |            |  |   |   |               |      |      |              |      |      |
|---|--|----------------|---------------|-----------|---------------|------------|--|---|---|---------------|------|------|--------------|------|------|
|   |  |                | A contact     | B contact | AC/DC voltage | AC voltage |  |   |   |               |      |      |              |      |      |
| Extended  |  <p>S3PR-P1R□</p>  | S3PR-P1□A(M)   | 1             | —         | —             | —          |  |   |   |               |      |      |              |      |      |
|   |  | S3PR-P1□2A(M)  | 2             | —         |               |            |  |   |   |               |      |      |              |      |      |
|   |  | S3PR-P1□3A(M)  | 3             | —         |               |            |  |   |   |               |      |      |              |      |      |
|   |  | S3PR-P1□B(M)   | —             | 1         |               |            |  |   |   |               |      |      |              |      |      |
|   |  | S3PR-P1□2B(M)  | —             | 2         |               |            |  |   |   |               |      |      |              |      |      |
|   |  | S3PR-P1□3B(M)  | —             | 3         |               |            |  |   |   |               |      |      |              |      |      |
|   |  | S3PR-P1□AB(M)  | 1             | 1         |               |            |  |   |   |               |      |      |              |      |      |
|   |  | S3PR-P1□2AB(M) | 2             | 1         |               |            |  |   |   |               |      |      |              |      |      |
|   |  | S3PR-P1□A2B(M) | 1             | 2         |               |            |  |   |   |               |      |      |              |      |      |
| <p>※□ indicates color : <b>R</b>, <b>B</b>, <b>G</b>, <b>Y</b>, <b>K</b></p> <p>※The M in the model name indicates modular type contact block. Models without M are singular contact block.</p> <p>※The control unit, contact blocks, LED blocks are sold separately.<br/>(control unit: bold letters, contact block: regular letters)</p> <p>• Dimensions <span style="float: right;">(unit: mm)</span></p> <div style="display: flex; justify-content: space-around; align-items: flex-start;">   <table border="1" style="margin-left: auto;"> <thead> <tr> <th></th> <th>A</th> <th>B</th> </tr> </thead> <tbody> <tr> <td>Singular type</td> <td>50.5</td> <td>27.0</td> </tr> <tr> <td>Modular type</td> <td>48.5</td> <td>25.0</td> </tr> </tbody> </table> </div> <p style="text-align: right;">※For panel cut-out dimensions, please refer to page A-105.</p> |  |                |               |           |               |            |  | A | B | Singular type | 50.5 | 27.0 | Modular type | 48.5 | 25.0 |
|   | A  | B              |               |           |               |            |  |   |   |               |      |      |              |      |      |
| Singular type   | 50.5   | 27.0           |               |           |               |            |  |   |   |               |      |      |              |      |      |
| Modular type  | 48.5   | 25.0           |               |           |               |            |  |   |   |               |      |      |              |      |      |

| Type  | Appearance   | Model          | Contact block |           | LED block     |            |  |   |   |               |      |      |              |      |      |
|---|--|----------------|---------------|-----------|---------------|------------|--|---|---|---------------|------|------|--------------|------|------|
|   |  |                | A contact     | B contact | AC/DC voltage | AC voltage |  |   |   |               |      |      |              |      |      |
| Flush   |  <p>S3PF-P1B□</p>  | S3PF-P1□A(M)   | 1             | —         | —             | —          |  |   |   |               |      |      |              |      |      |
|   |  | S3PF-P1□2A(M)  | 2             | —         |               |            |  |   |   |               |      |      |              |      |      |
|   |  | S3PF-P1□3A(M)  | 3             | —         |               |            |  |   |   |               |      |      |              |      |      |
|   |  | S3PF-P1□B(M)   | —             | 1         |               |            |  |   |   |               |      |      |              |      |      |
|   |  | S3PF-P1□2B(M)  | —             | 2         |               |            |  |   |   |               |      |      |              |      |      |
|   |  | S3PF-P1□3B(M)  | —             | 3         |               |            |  |   |   |               |      |      |              |      |      |
|   |  | S3PF-P1□AB(M)  | 1             | 1         |               |            |  |   |   |               |      |      |              |      |      |
|   |  | S3PF-P1□2AB(M) | 2             | 1         |               |            |  |   |   |               |      |      |              |      |      |
|   |  | S3PF-P1□A2B(M) | 1             | 2         |               |            |  |   |   |               |      |      |              |      |      |
| <p>※□ indicates color : <b>R</b>, <b>B</b>, <b>G</b>, <b>Y</b>, <b>K</b></p> <p>※The M in the model name indicates modular type contact block. Models without M are singular contact block.</p> <p>※The control unit, contact blocks, LED blocks are sold separately.<br/>(control unit: bold letters, contact block: regular letters)</p> <p>• Dimensions <span style="float: right;">(unit: mm)</span></p> <div style="display: flex; justify-content: space-around; align-items: flex-start;">   <table border="1" style="margin-left: auto;"> <thead> <tr> <th></th> <th>A</th> <th>B</th> </tr> </thead> <tbody> <tr> <td>Singular type</td> <td>57.6</td> <td>27.0</td> </tr> <tr> <td>Modular type</td> <td>55.6</td> <td>25.0</td> </tr> </tbody> </table> </div> <p style="text-align: right;">※For panel cut-out dimensions, please refer to page A-105.</p> |  |                |               |           |               |            |  | A | B | Singular type | 57.6 | 27.0 | Modular type | 55.6 | 25.0 |
|   | A  | B              |               |           |               |            |  |   |   |               |      |      |              |      |      |
| Singular type   | 57.6   | 27.0           |               |           |               |            |  |   |   |               |      |      |              |      |      |
| Modular type  | 55.6   | 25.0           |               |           |               |            |  |   |   |               |      |      |              |      |      |



# Ø30 Push Button Switches

## Control Switches

Ø16

Ø22/25

Ø30

Ø30

## Push Button Switches

Round

Square

Rectangular

## Selector Switches

Round

Square

Rectangular

## Key Selector Switches

Round

Square

Rectangular

## Double Push Button Switches



## Mushroom-head Push Button Switches

## Emergency Switches

## Pilot Lights

## Accessories

## Buzzers

| Type                   | Appearance   | Model           | Contact block   |           | LED block     |            |   |
|------------------------|--|-----------------|-----------------|-----------|---------------|------------|---|
|                        |  |                 | A contact       | B contact | AC/DC voltage | AC voltage |   |
| Flush<br>(illuminated) | <br>S3PFU-P3G□<br> | Modular contact | S3PF(U)-P3□ADM  | 1         | —             | 1          | — |
|                        |  |                 | S3PF(U)-P3□2ADM | 2         | —             |            |   |
|                        |  |                 | S3PF(U)-P3□BDM  | —         | 1             |            |   |
|                        |  |                 | S3PF(U)-P3□2BDM | —         | 2             |            |   |
|                        |  |                 | S3PF(U)-P3□ABDM | 1         | 1             | —          | 1 |
|                        |  |                 | S3PF(U)-P3□ALM  | 1         | —             |            |   |
|                        |  |                 | S3PF(U)-P3□2ALM | 2         | —             |            |   |
|                        |  |                 | S3PF(U)-P3□BLM  | —         | 1             |            |   |
|                        |  |                 | S3PF(U)-P3□2BLM | —         | 2             |            |   |
|                        |  |                 | S3PF(U)-P3□ABLM | 1         | 1             |            |   |

※ □ indicates color: ■, ■, ■, ■, ■

※ The control unit, contact blocks, LED blocks are sold separately.

(control unit: bold letters, contact block: regular letters)

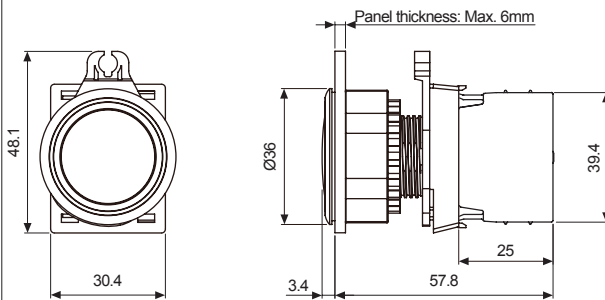
※ Control unit+contact block (modular type) models do not contain "Push" markings on the button cap.

※ Models with 'U' in the model name is available only for control unit. 'U' models do not contain "Push" markings on the button cap.



※ The LED color is the same as the control unit. ※ Waterproof cap (model: SA-WP) is available.

### • Dimensions

(unit: mm)



※ For panel cut-out dimensions, please refer to page A-105.

| Appearance  | Model            | Contact block  |           | LED block     |            |   |
|---|------------------|----------------|-----------|---------------|------------|---|
|   |                  | A contact      | B contact | AC/DC voltage | AC voltage |   |
| <br>S3PF-P3G□<br> | Singular contact | S3PF(U)-P3□AD  | 1         | —             | 1          | — |
|   |                  | S3PF(U)-P3□2AD | 2         | —             |            |   |
|   |                  | S3PF(U)-P3□BD  | —         | 1             |            |   |
|   |                  | S3PF(U)-P3□2BD | —         | 2             |            |   |
|   |                  | S3PF(U)-P3□ABD | 1         | 1             | —          | 1 |
|   |                  | S3PF(U)-P3□AL  | 1         | —             |            |   |
|   |                  | S3PF(U)-P3□2AL | 2         | —             |            |   |
|   |                  | S3PF(U)-P3□BL  | —         | 1             |            |   |
|   |                  | S3PF(U)-P3□2BL | —         | 2             |            |   |
|   |                  | S3PF(U)-P3□ABL | 1         | 1             |            |   |

※ □ indicates color: ■, ■, ■, ■, ■

※ The control unit, contact blocks, LED blocks are sold separately.

(control unit: bold letters, contact block: regular letters)

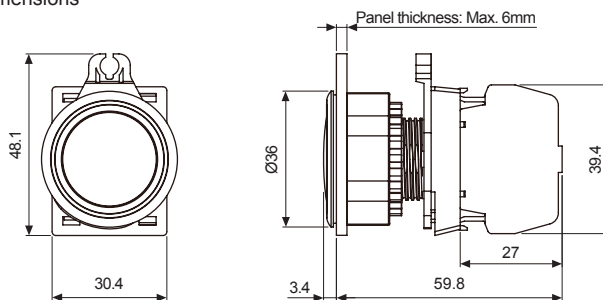
※ Control unit+contact block (singular type) models contain "Push" markings on the button cap.

※ Models with 'U' in the model name is available only for control unit. 'U' models do not contain "Push" markings on the button cap.

※ The LED color is the same as the control unit. ※ Waterproof cap (model: SA-WP) is available.

### • Dimensions

(unit: mm)


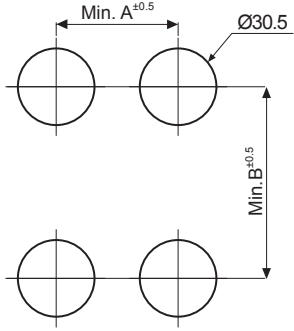



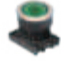


※ For panel cut-out dimensions, please refer to page A-105.

# Ø30 Panel Cut-out Dimensions

## Ø30 Panel Cut-out Dimensions

(unit: mm)

| Type  |   | A   | B  | Panel Cut-out Dimensions  |    |
|---|---|---|----|---|----|
| Round Push Button Switches (S3PR/S3PF Series) |  | 45  | 55 |  |    |
| Round Selector Switches (S3SF/S3SFN Series)   | Short lever   |  | 37 |   | 55 |
|   | Long lever  |  | 55 |   | 55 |
| Round Key Selector Switches (S3KF Series)     |  | 37  | 55 |   |    |
| Pilot Lights (L3RF Series)                    |  | 37  | 55 |   |    |

### Control Switches

Ø16

Ø22/25

Ø30

□30

### Push Button Switches

Round

Square

Rectangular

### Selector Switches

Round

Square

Rectangular

### Key Selector Switches

Round

Square

Rectangular

### Double Push Button Switches

### Mushroom-head Push Button Switches

### Emergency Switches

### Pilot Lights

### Accessories

### Buzzers